

HC4 miniBOOSTER



HC4: 10

P_{IN} : 20 - 200 ()

P_H : 800 ()

P_{RETURN} () ; ()

$$: P_H = (P_{IN} - P_{RETURN}) i ()$$

:

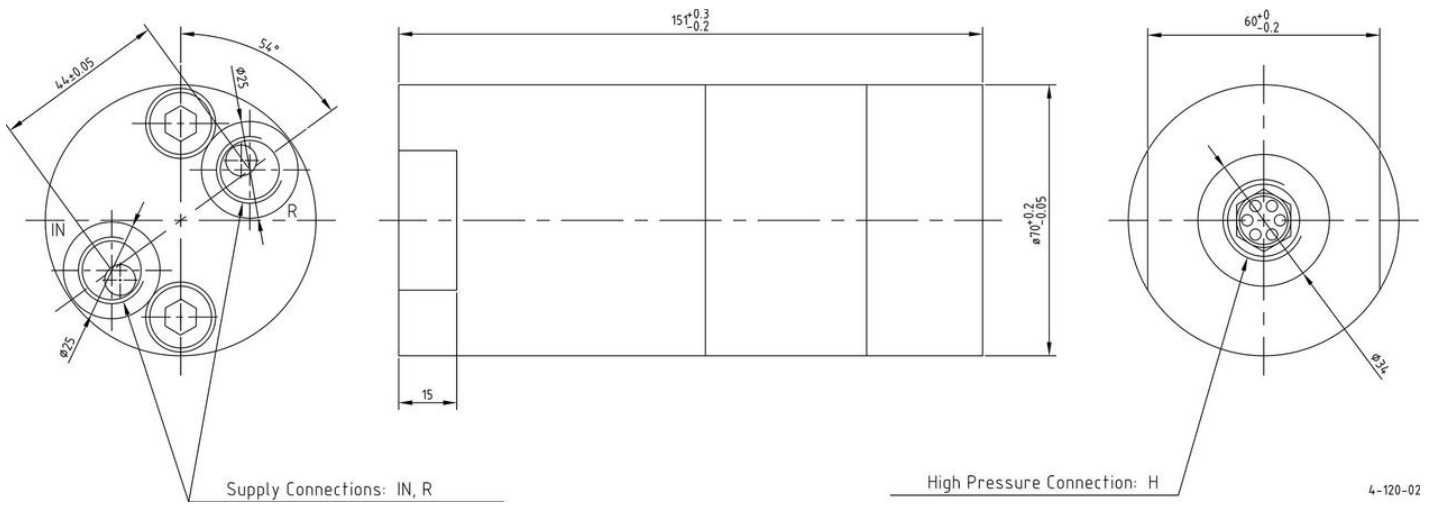
:

A =
B =
G =

HC4 miniBOOSTER

HC4 7,0 / . HC2, 3,7 , . HC4

i	/	/
1,3	1,5	25,0
1,5	1,4	25,0
1,8	1,2	25,0
2,1	7,0	35,0
2,8	6,0	35,0
3,2	5,0	35,0
4,3	4,0	35,0
5,1	3,5	35,0
6,3	2,5	35,0
9,8	2,0	35,0



IN,

KV1, KV2 DV

H.

CV

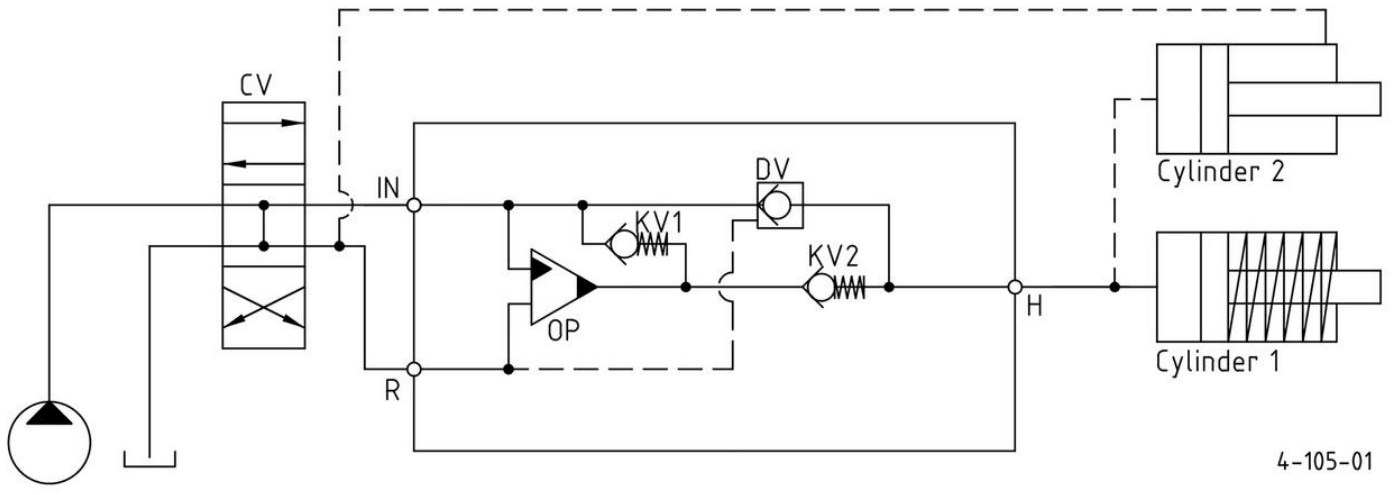
OP.

H,

KV1, KV2 DV

H.

OP.



4-105-01

	IN / R	H
1	3/8" BSPP	1/2" BSPP
2	9/16-18 UNF	3/4-16 UNF

BSPP

	IN / R	H
	3/8" BSPP	1/2" BSPP
	6,0 10/	13,0 10/
	4,0 10/	-
	6,0 10/	13,0 10/

TTNF

	IN / R	H
	9/16-18" UNF	3/4-16" UNF
	3,5 10/	6,0 10/

HC4

HC4 i = 4,3, DV BSPP: HC4 - 4,3 - B - 1

	<i>i</i>		
HC4
		A = () / A	1
		B = () / B	2
		G = () / G	

