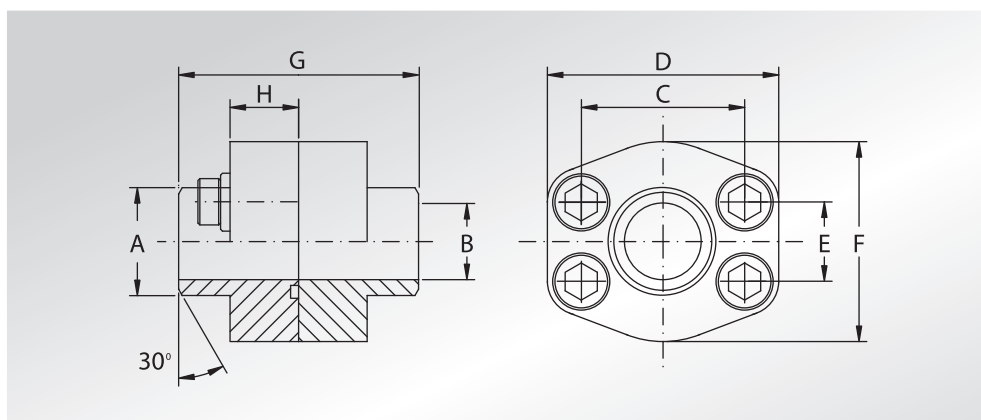




**DOPPIE FLANGE
A SALDARE
DI TESTA
SCH.80; SCH.160;
SCH.XXS**

**WELD ON
DOUBLE FLANGES
SCH.80; SCH.160;
SCH.XXS**



Pressione max di esercizio raccomandata Kg/cm ²	Grandezza	Tipo	Dimensioni										Viti		Or tipo	Peso Kg
Maximum recommended working pressure Kg/cm ²	Size	Type	Dimensions										Screws		Or type	Weight Kg
			A	B	C	D	E	F	G	H	Metric	Unc				

SERIE 3000

			SCH.80	SCH.160	SCH.XXS											
345	1/2"	DFS080ST	21,5	13	11,8	6,3	38,10	57	17,48	46	72	32	M8x30	5/16x1"1/4	4075	0,55
345	1/2"	DFS080ST038	17,5	13	—	—	38,10	57	17,48	46	72	32	M8x30	5/16x1"1/4	4075	0,51
345	3/4"	DFS100ST	28,0	19	15,6	11,0	47,63	65	22,23	50	72	36	M10x35	3/8x1"1/2	4100	0,86
345	1"	DFS102ST	34,0	25	20,7	15,2	52,37	70	26,19	55	76	36	M10x35	3/8x1"1/2	4131	0,98
276	1"1/4	DFS104ST	42,8	32	29,5	22,8	58,72	79	30,18	68	82	42	M10x40	7/16x1"3/4	4150	1,47
207	1"1/2	DFS106ST	48,6	38	34	28,0	69,85	93	35,71	78	88	50	M12x45	1/2x1"3/4	4187	2,23
207	2"	DFS108ST	61,0	51	42,8	38,2	77,77	102	42,88	90	90	50	M12x45	1/2x1"3/4	4225	2,56
172	2"1/2	DFS110ST	77,0	63	54	45,0	88,90	114	50,80	105	100	50	M12x45	1/2x1"3/4	4275	3,38
138	3"	DFS112ST	92,0	73	67,7	58,4	106,38	134	61,93	124	100	54	M16x50	5/8x2"	4337	5,18
34	3"1/2	DFS114ST	103,0	89	—	—	120,65	152	69,85	136	96	54	M16x50	5/8x2"	4387	5,23
34	4"	DFS116ST	115,5	99	87,3	80,0	130,18	162	77,77	146	96	54	M16x50	5/8x2"	4437	6,22
34	5"	DFS118ST (*)	140,2	120	109,5	102,9	152,40	184	92,08	180	100	56	M16x50	5/8x2"	4537	7,72

SERIE 6000

414	1/2"	DFS401ST012	21,5	13	11,8	6,3	40,49	57	18,24	46	72	32	M8x30	5/16x1"1/4	4075	0,55
414	1/2"	DFS401ST038	17,5	13	—	—	40,49	57	18,24	46	72	32	M8x30	5/16x1"1/4	4075	0,51
414	3/4"	DFS402ST	28,0	19	15,6	11,0	50,80	71	23,80	55	70	42	M10x40	3/8x1"1/2	4100	1,13
414	1"	DFS403ST	34,0	25	20,7	15,2	57,15	79	27,76	68	82	42	M12x45	7/16x1"3/4	4131	1,54
375	1"1/4	DFS404ST	42,8	32	29,5	22,8	66,68	93	31,75	78	88	50	M14x45	1/2x1"3/4	4150	2,37
320	1"1/2	DFS405ST	48,6	38	34	28,0	79,38	112	36,50	94	110	60	M16x50	5/8x2"	4187	3,87
250	2"	DFS406ST	61,0	51	42,8	38,2	96,82	134	44,45	114	130	74	M20x70	3/4x2"1/2	4225	6,75
230	2"1/2	DFS507ST (*)	76,6	63	54	45,0	123,80	180	58,70	152	160	90	M24x80	—	4275	-
200	3"	DFS508ST (*)	90,0	73	67,7	58,4	152,40	208	71,40	178	180	110	M30x100	—	4337	-

PER QUESTA TIPOLOGIA DI PRODOTTO, VERIFICATE SEMPRE SE LA QUOTA "A" E "B" CORRISPONDE ALLA SCHEDULA DEL VOSTRO TUBO

FOR THIS KIND OF PRODUCT, PLEASE ALWAYS VERIFY IF DIMENSION "A" AND "B" CORRESPOND TO THE SCHEDULE OF YOUR TUBE

DESIGNAZIONE PER ORDINE DESIGNATION FOR ORDER	Materiale / Material	
	ST52.3	AISI 316L
Flangia + controflangia + set viti metriche Flange + counter-flange + metric screws set	DFS...STM	DFX...STM
Flangia + controflangia + set viti unc Flange + counter-flange + unc screws set	DFS...STU	DFX...STU

NOTE / NOTES

* Per viti unc L=13,5
* For unc screws L=13,5

(•) Solo in ST52.3
(•) Only in ST52.3

set viti unc disponibili solo in acciaio al carbonio.
unc screws set available only in carbon steel.

(*) set viti disponibili solo in acciaio al carbonio.
(*) screws set available only in carbon steel.