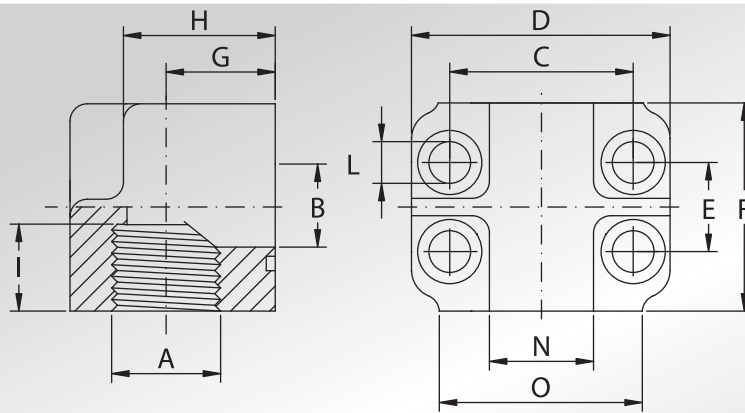


**FLANGE A 90°  
FILETTATE  
GAS**



**BSP  
THREADED  
90° FLANGES**



Pressione max di esercizio raccomandata Kg/cm <sup>2</sup>	Grandezza	Tipo	Dimensioni											Viti	Or tipo	Peso Kg	
			Dimensions														Screws
Maximum recommended working pressure Kg/cm <sup>2</sup>	Size	Type	A	B	C	D	E	F	G	H	I	L	N	O	Metric		

**SERIE 3000**

345	3/4"	AFS20090G	3/4" GAS	19	47,63	66	22,23	46	19	27	19	11	28	48	M10x45	4100	0,52
345	1"	AFS20290G	1" GAS	25	52,37	71	26,19	55	22	34	19	11	32	50	M10x50	4131	0,87
276	1"1/4	AFS20490G	1"1/4 GAS	32	58,72	81	30,18	65	27	42	22	11,5	35	60	M10x60	4150	1,35
207	1"1/2	AFS20690G	1"1/2 GAS	38	69,85	95	35,71	75	32	50	24	13,5	42	70	M12x70	4187	2,15
207	2"	AFS20890G	2" GAS	51	77,77	112	42,88	90	40	63	26	13,5	50	80	M12x80	4225	3,70
172	2"1/2	AFS21090G *	2"1/2 GAS	63	88,90	120	50,80	120	53	99	30	13,5	-	-	-	4275	8,20

**SERIE 6000**

414	3/4"	AFS70090G	3/4" GAS	19	50,80	71	23,80	55	22	34	22	11	32	50	M10x50	4100	0,97
414	1"	AFS70290G	1" GAS	25	57,15	81	27,76	65	27	42	24	13	35	60	M12x60	4131	1,50
414	1"1/4	AFS70490G	1"1/4 GAS	32	66,68	95	31,75	75	32	50	25	15	42	70	M14x70	4150	2,29
414	1"1/2	AFS70690G	1"1/2 GAS	38	79,38	112	36,50	90	40	63	28	17	50	80	M16x90	4187	4,08

**DESIGNAZIONE PER ORDINE  
DESIGNATION FOR ORDER**

**Materiale / Material**

**NOTE / NOTES**

Solo flangia  
Only flange

**AFS...90G**

\* Ricavata da barra.  
\* Obtained from bar.

Flangia completa di viti metriche, grower e o-ring  
Flange complete of metric screws, grower type washers and o-ring

**AFS...90GM**